

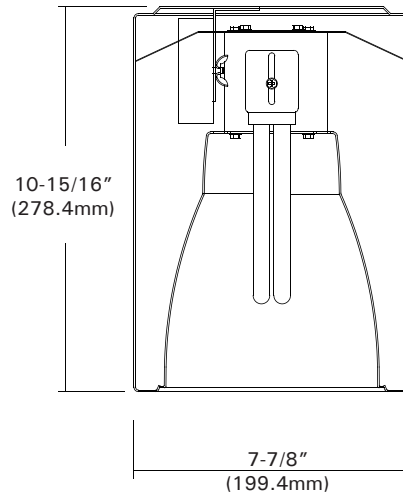
DLF-565-E/DLF-565L-E

6" Compact Fluorescent Surface Cylinders

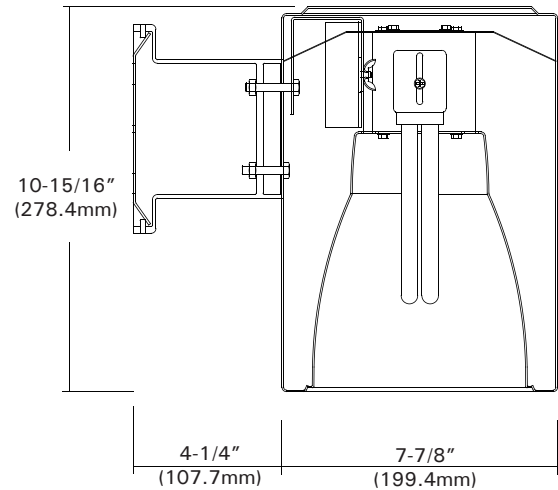
26W, 32W DTT/TTT Lamps.

Catalog #		Type
Project		Date
Prepared by		

FLUORESCENT



Ceiling Mount
DLF-565-E



Wall Mount
DLF-565L-E

DESCRIPTION

6" aperture surface cylinder for use with a 26W, 32W, compact fluorescent lamp. Adjustable and locking socket position allows reflectors with different distributions to be used within the same housing for a variety of lighting effects.

DESIGN FEATURES

◦ Reflector

- Anodized clear, Semi-Matte, gold, champagne, pewter color finished full reflectors. Also available anodized reflectors with black or white milled groove baffle collar.

◦ Housing

- Round seamless .060 thick spun aluminum, housing available in semi-matte white, black or silver finish.

◦ Socket Cup

- Heat sink aluminum cup, vertically adjustable multiple lampholder position for various size of lamps.

◦ Socket

- G24Q/GX24Q socket for use 4 pin DTT, TTT lamps

◦ Electronic Ballast

- Class P Thermally protected by internal fuse (3 amp fast blow), High power factor Multi-volt electronic ballast for 4 pin type compact fluorescent lamps.

◦ Wall Bracket (DLF-565L-E)

- Aluminum casted bracket matte white finish. Secured to cleat by set screws.

* Listing

- cCSA-us certificated.

* Lamp : Max. 32W TTT

Ordering Information

Cat No.	Lamp(s) Watt.	Finish	Reflector Finish	Option
DLF-565-E DLF-565L-E	26 : 26W DTT or TTT 32 : 32W TTT	-WH : White -BK : Black -SI : Silver	-CL : Clear -GD : Gold -MA : Matte Platinum -HC : Haze Clear	-WB : White Baffle Collar -BB : Black Baffle Collar

Example : DLF-565-E26-WH-HC